



**UNI Jet**

**ИБП Newave Powervario - брошюра на продукцию. Юниджет**

Постоянная ссылка на страницу: <https://www.uni-jet.com/catalog/ibp/online-ibp/newave-powervario/>





# POWERVARIO

Intelligent True On-Line Uninterruptible Power Supply (UPS)

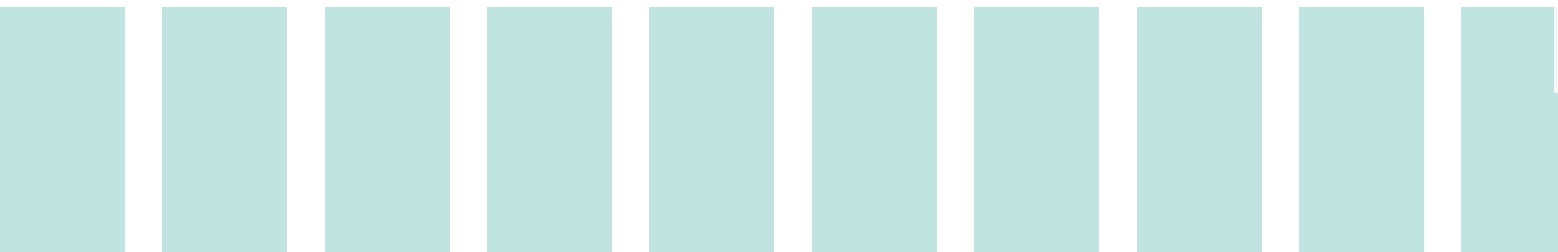


# POWERVARIO

## Technical Specifications

Models	PVO11/1K	PVO11/2K	PVO11/3K	PVO11/4.5k	PVO11/6k
Apparent Output Power	1000 VA	2000 VA	3000 VA	4500 VA	6000 VA
Active Output Power	700 Watts	1400 Watts	2100 Watts	3250 Watts	4200 Watts
Autonomy Time (standard battery)	7 min.	7 min.	6 min.	10 min.	8 min.
Power Factor	0.7				
Topology	Double conversion online				
Type	Rack/Tower				
<b>INPUT</b>					
Nominal Voltage	120/140/160 - 288Vac				
Frequency	50/60 Hz auto-select, $\pm$ 5Hz				
Power Factor	+/- 0.99 at full rated linear load				
Harmonic Current Distortion THDi	< 6% at 100% linear load				
<b>OUTPUT</b>					
Voltage	230V, adjustable to 200/208/220/230/240				
Frequency	50/60 Hz auto-select synchronisation window 3Hz or 1Hz (setting by software)				
Voltage Distortion	+/- 3% THD (Linear Load) +/- 7% THD (Non-Linear Load)				
Overloading Capability	Invertermode: 120 % for 20 seconds Bypassmode: 175 % for 1 seconds				
Crest Factor	3:1				
<b>EFFICIENCY</b>					
Load 100/ 75/ 50/ 25%	85/82/82/80	85/82/82/80	88/85/85/83	92/89/89/87	92/89/89/87
<b>ENVIRONMENT</b>					
Storage Temperature (°C)	0-45				
Operating Temperature (°C)	0-40				
Maximum Altitude	1000 mtr.				
<b>COMMUNICATIONS</b>					
Interfaces	RS -232, USB, SNMP card (opt.), Modbus card (opt.), relay card (opt.)				
<b>DIMENSIONS, WEIGHT</b>					
Dimensions (mm)	89x445x490	89x445x660	89x445x660	222x445x660	222x445x660
Weight (kg)	17	30	33	92	92
<b>OPTIONS</b>					
Accessories	External bypass, additional battery packs, output distributions, extractable 19" rack rails				
<b>STANDARDS</b>					
Safety	EN 62040-1-1, IEC 60950-1				
Electromagnetic Comp. (EMC)	EN62040-2, EN61000-3-2, EN61000-3-3, FCC Class A				
Performance	IEC/EN 62040-3				
Product Certification	CE, cUL, FCC additional versions on request				
Enclosure	IP 20				
Manufacturing	ISO 9001.2000				

Specifications are subject to change without notice.



# POWERVARIO

## Flexible Single-phase UPS System

PowerVario is a multifunctional UPS series for single phase uninterruptible power supply for server, network, storage, VoIP and telecommunication applications. The UPS can be used as a stand-alone or 19" rack configuration with Newave connectivity options. It is the perfect solution for mission critical applications which require high reliability, availability and performance.

## Features

- Combined 19" rack and tower version
- VFI = voltage and frequency independent (true on-line)
- only 2U high with batteries (1 up to 3 kVA)
- 5U high for 4,5 and 6 kVA
- 4,5 kVA and 6 kVA can be connected for parallel redundancy
- ParaDis™ service-by-pass/distribution for up to 3 x 4,5 kVA or 3 x 6 kVA units to establish 1+1 or 2+1 redundancy
- Pluggable in-/output with solid connector for shortest MTTR
- Hot swappable batteries with front access
- 10 year batteries available as an option
- Extended connectivity: USB, RS-232, SNMP, Modbus, dry contacts)

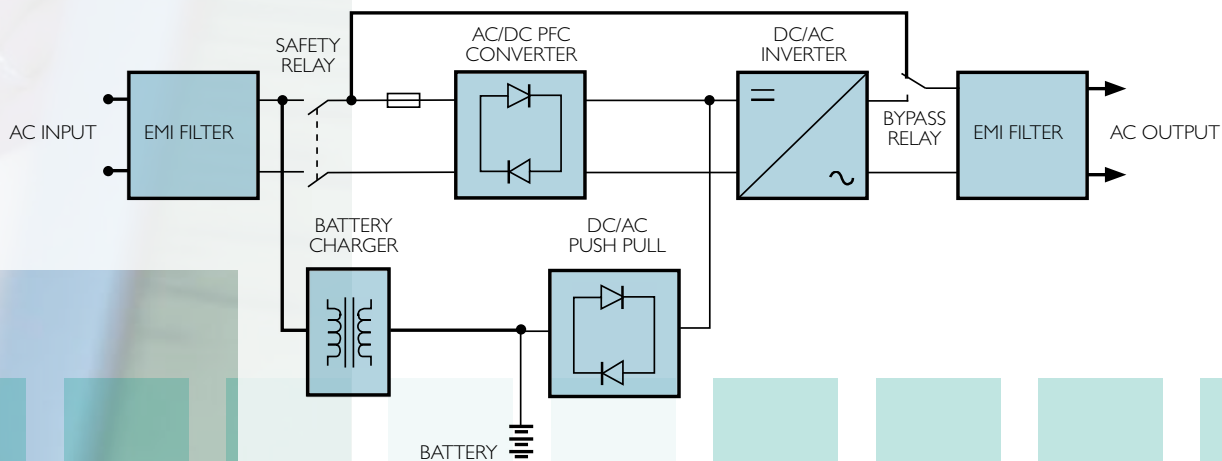
## Rack and Tower Design



PowerVario enables integration into a wide variety of environments

## Double Conversion On-line Technology

The UPS completely re-generates the utility power to correct power disturbances in the mains. The unit provides clean A.C. power with Voltage and Frequency Independency from the Utility (VFI).



## The Modular All-rounder

PowerVario provides an excellent return on your investment. The system is fully modular and allows you to increase the overall power output, battery runtime and redundancy as your needs and requirements grow. The modular design eliminates any single point of failure.

### Hot-Swappable battery

PowerVario 3 kVA with front access for battery swap

PowerVario allows the user to easily replace the battery packs without interruptions of the critical load.



### Advanced Battery Discharge Management

PowerVario UPS series automatically manages the end-discharge voltage of the internal batteries according to the load. The ABDM function prevents from deep discharge of the batteries during a power failure.

### Optional and Additional battery modules

PowerVario 3 kVA with optional and additional battery module for extended back-up time



only 4U high with additional battery extension

PowerVario 4,5 or 6 kVA with standard battery module and attachable Safe-Swap connector for shortest MTTR

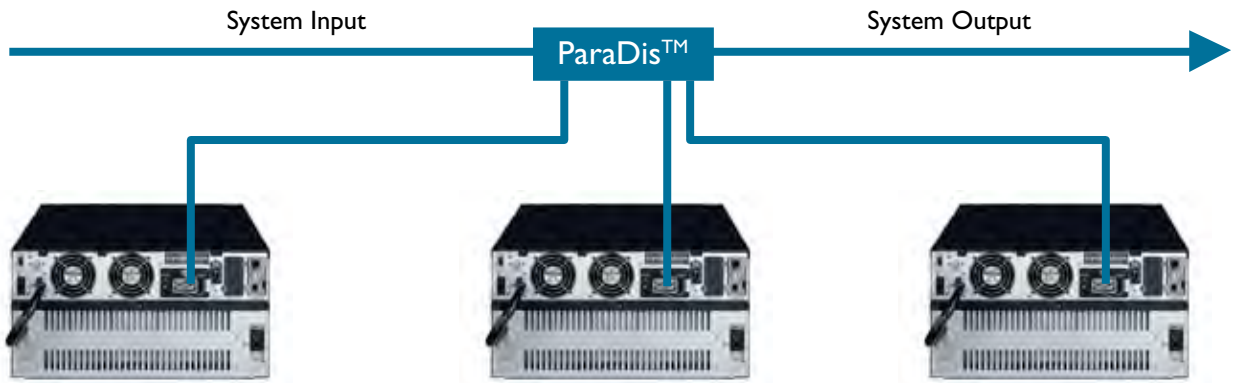


### PowerVario 4,5 kVA & 6 kVA can be connected for parallel redundancy

To increase the power capacity of configuring a parallel redundant system, up to 3 additional PowerVario systems are simply interconnected using the CAN-bus (RJ45) on the rear of the PowerVario series.

Option: ParaDis™, a combined service by-pass and distribution for 4,5 und 6 kVA. Versions available for 1, 2 or 3 x UPS to create a 1+1 or a 2+1 redundancy are available with Safe-Swap connection.





### User Friendly Display

An easy-to-read display provides real-time indication of all major system parameters and system status including load level, battery level, bad battery signalling, site wiring fault, overload, programmable outlet status... etc for easy service.



### Options:

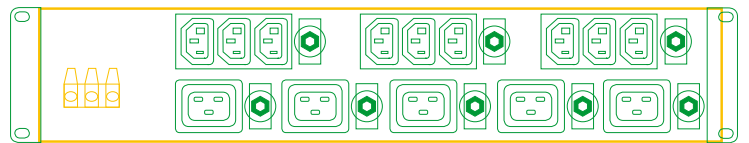
1, 2 and 3 kVA service by-pass with output distribution and fuses – short MTTR



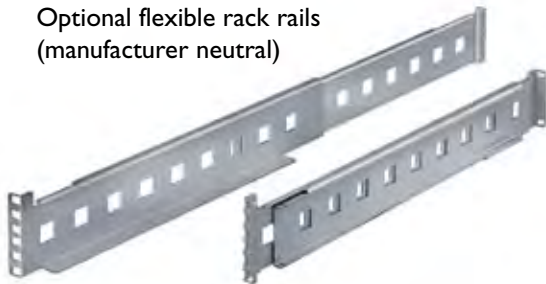
19" power Distribution



PVO-PDM32



Optional flexible rack rails (manufacturer neutral)



SNMP/Modbus network interface cards (optional)  
Dry contacts also available



# Newave Group Companies

**Newave Energy Holding SA**  
Via Luserte Sud 9  
**CH-6572 Quartino**  
**Switzerland**

Tel. +41 91 850 29 29  
Fax +41 91 840 12 54  
info@newave.ch  
www.newaveups.com

Head Office: Operations, Sales & Marketing

**Newave SA**  
Via Luserte Sud 9  
CH-6572 Quartino  
Switzerland

Tel. +41 91 850 29 29  
Fax +41 91 840 12 54  
info@newave.ch  
www.newaveups.com

## Subsidiaries

### Austria

Newave Österreich GmbH  
Ungargasse 36  
A-1030 Wien  
Österreich  
Tel. +43 (1) 710 96 70 16  
Fax +43 (1) 710 96 70 12  
info@newaveups.at  
www.newaveups.at

### Brazil

Newave South America LTDA  
Rua Clodomiro Amazonas No. 1422  
Suite 68  
BR-04537-002 - São Paulo  
Tel. +55 11 3045 0809  
Fax +55 11 3045 0764  
info@newavesam.com  
www.newaveups.com

### Finland

Newave Finland OY  
Niittyläntie 5 (postal)  
Läkkisepänkuja 6 (visiting)  
FIN-00620 Helsinki  
Tel. +358 9 751 46 100  
Fax +358 9 751 46 120  
info@newaveups.fi  
www.newaveups.fi

### Germany

Newave USV Systeme GmbH  
Summerside Ave. C 207  
Baden Airpark  
D-77386 Rheinmünster  
Tel. +49 7229 1866-0  
Fax +49 7229 1866-33  
zentrale@newave-usv.de  
www.newave-usv.de

### Hong Kong & China

Newave Energy Hong Kong Ltd  
Room 2506, West Tower, Shun Tak  
Centre  
HK-168-200 Connaught Road  
Central  
Tel. +31642215512  
info@newave.cn.com

### with branch office in China:

Newave Energy (Jiangmen) Limited  
9/F Kawa House, 49 Jiangshe Road,  
Jiangmen, Guangdong, China  
Postal Code: 529000  
Tel. +86 750 3680239  
Fax +86 750 3680229  
info@newave.cn.com  
www.newave.com.cn

### India

Newave Energy India Private Limited  
102/103 Tanishka, Akurli Road,  
Near Big Bazar, Kandivali East  
IN-400 101 Mumbai  
Tel. +91 (22) 42179292  
Fax +91 (22) 42179200  
rshah@absothermindia.com  
www.newaveups.com

### Italy

NEWAVE Italia  
Via Vincenzo Ussani, 90  
I-00151 Roma  
Tel. +39 06 8745 1674  
Fax. +39 06 39389924  
newaveitalia@gmail.com  
www.newaveups.it

### Spain

Newave España SA  
Arturo Soria 329 I D  
ES-28033 Madrid  
Tel. +34 (91) 768 22 22  
Fax +34 (91) 383 21 50  
newave@newave.es  
www.newave.es

### Switzerland

ServiceNet AG  
Industriestrasse 5  
CH-5432 Neuenhof  
Tel. +41 56 416 01 01  
Fax +41 56 416 01 00  
info@servicenet.ch  
www.servicenet.ch

### with branch office in Biel:

Am Wald 36  
CH-2504 Biel  
Switzerland  
Tel. +41 32 366 60 30  
Fax +41 32 366 60 35  
biel@servicenet.ch

### The Netherlands

Newave UPS Systems BV  
Stephensonweg 9  
NL-4207 HA Gorinchem  
Tel. +31 183 64 6474  
Fax +31 183 62 3540  
info@newaveups.nl  
www.newaveups.nl

## References

ABB  
Acer  
AEG SVS  
American British Racing  
American Express  
Ansar Almojahedin  
ARGE NS Löttschberg  
AXA Insurance  
Bank Renaissance Moscow  
Bank Vontobel AG  
Barclays Bank  
Basijian Institute  
Basler Versicherung  
BBC (British Broadcasting Corp.)  
Belgorodenergo  
Betty Barclay  
Blaupunkt  
BLS Löttschbergbahn AG  
BNFL (British Nuclear Fuels Ltd.)  
Boehringer Ingelheim  
British Airport Authority (BAA)  
British Council  
British Telecom  
Bürgerspital St. Gallen  
Cable and Wireless  
Cambridge University  
Caterpillar  
Central Bank of Russian Federation  
Cepsa  
Coca Cola  
Core Telecom  
Correos de España  
Credit Suisse  
Dachser  
Daimler AG  
Danfoss  
Deutsche Post  
DNA  
EADS  
EDEKA  
EDP (Electricity of Portugal)  
Elisa  
Enfo  
Eterra  
Fujitsu  
Gestamp Corporation  
Glaxo Smith Kline  
Henkel  
Hilton  
Honeywell  
HSBC  
Hyatt  
IBERIA  
IBM  
Intel  
Interoute  
Iran Insurance  
Iran Telecom (TCI)  
IXEurope (Switzerland) AG  
Karafarin Bank  
Lekkerland  
Lloyds TSB  
Lonza AG  
LUKOIL  
Manor AG  
Mehiläinen  
Meridien  
Meteorological Office  
Metropolitano de Lisboa  
Migros Ostschweiz

Mobile TeleSystems (MTS)  
Mobistar  
Motorola  
NATs (National Air Traffic control)  
Nestlé  
Nokian Renkaat  
Novartis Consumer Health Schweiz AG  
Nuffield Hospitals  
O2  
Océ (Schweiz) AG  
Olvi  
Oracle Corporation  
OSCE Kosova  
Osuspankkikeskus  
Outokumpu  
Oxford University  
Paulaner  
Portugal Telecom  
Procter & Gamble  
Rabo Bank  
Radio Televisión Española  
REFER (Portuguese Railways)  
REPSOL-YPF  
Rittal  
Ritz  
Rohde & Schwarz  
Rolex SA  
ROS Telecom  
Roshal's medical clinic  
Royal Bank of Scotland  
Royal Scandinavia  
Russian Railways  
Sampo Pankki  
Schiphol Airport  
Schweiz. Bundesbahnen SBB  
Scottish Power  
Sheraton  
Siemens Schweiz AG  
Soudronic AG  
Stora Enso  
Studienzentrum Gerzensee  
Swiss Railway  
Swiss Reinsurance  
T-mobile  
Technion  
Technische Betriebe  
Tedjarat Bank  
Telekurs Services AG  
Tesco  
Thales  
Tiefbauamt Nidwalden  
Tool-Temp  
Unified Energy System of Russia  
United Bank of Switzerland (UBS)  
UPM-Kymmene  
Waitrose  
VAPO  
Veikkaus  
Williams  
Winterthur-Assurance p.a. wincasa  
Vneshtorgbank  
Vnukovo Airport Moscow  
Vodafone  
Wolseley  
von Moos Stahl AG  
VR-Rata  
Ziegler Papier AG  
Zurich  
Zürcher Kantonalbank

## Newave Certifications & Recognitions

